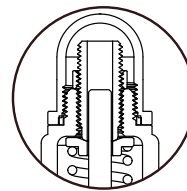
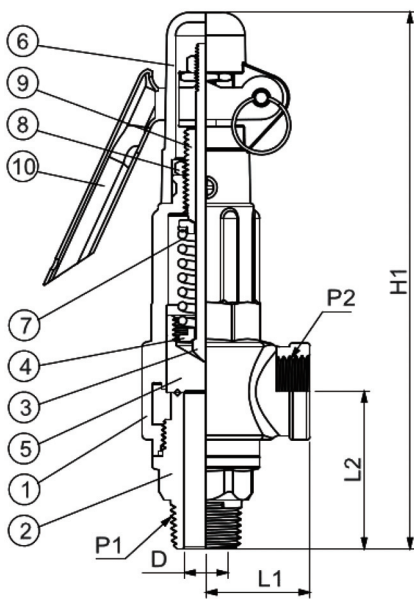


HSY

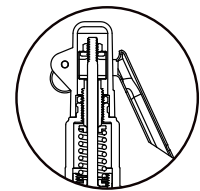
series

Válvula de Seguridad Elevacion Alta - Acero Inoxidable

- Tamano: 1/2"(DN15) to 1 1/2"(DN40)
- Presion de Trabajo: 0.1 to 50 bar
- Temp.de Trabajo: -196°C to 350°C
- Conexion Standard: NPT/PT/BSPP/BSPT.....etc.



HSY24



HSY25

ITEM	PARTS	MATERIAL	
		HSY24	HSY25
1	VALVE BODY	SS304 / SS316	SS304 / SS316
2	VALVE SEAT	SS304 / SS316	SS304 / SS316
3	STEM	SS304	SS304
4	SPRING SEAT	SS304	SS304
5	DISC	SS304 / SS316	SS304 / SS316
6	CAP	SS304	SS304
7	SPRING	SS304	SS304
8	NUT	SS304	SS304
9	ADJUSTING SCREW	SS304	SS304
10	HANDLE	-	SS304

DIMENSIONS (MM)								
P1 INLET	P2 OUTLET	D ORIFICE DIAMETER	A ORIFICE AREA (MM ²)	LIFT	L1	L2	HSY24 H1	HSY25 H1
1/2"	1/2"	13	132.7	1.04	31	46.95	134.1	160.1
3/4"	3/4"	19	283.4	1.52	34.8	56.4	147	172.5
1 1/4"	1 1/4"	30	706.5	2.56	52	73	197.7	218.2
1 1/2"	1 1/2"	34	907.5	3.04	59.5	89	226.8	247.3