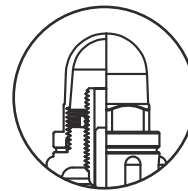
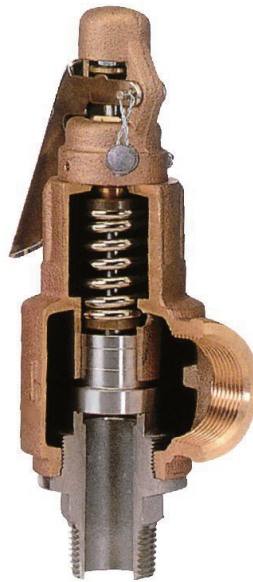
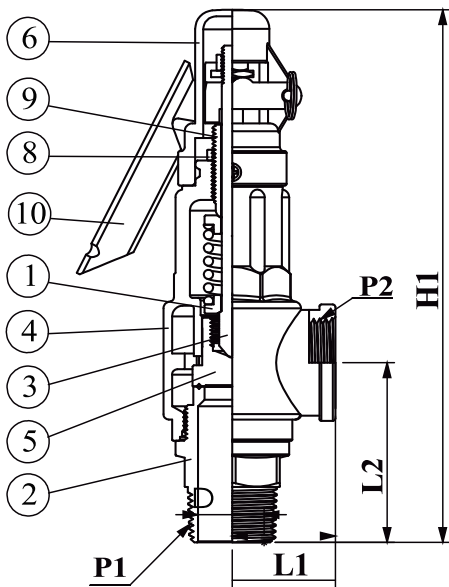


HSR

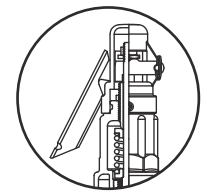
series

Válvula de Seguridad Elevacion Alta - Bronce con Acero Inox

- Tamano: 1/2"(DN15) to 2 1/2"(DN65)
- Presion de Trabajo: 0.1 to 40 bar
- Temp.de Trabajo: -185°C to 200°C
- Conexion Standard: NPT/PT/BSPP/BSPT.....etc.



HSR24



HSR25

| ITEM | PARTS | MATERIAL | |
|------|-----------------|---------------------|---------------------|
| | | HSR24 | HSR25 |
| 1 | VALVE BODY | BRONZE | BRONZE |
| 2 | VALVE SEAT | SS304 | SS304 |
| 3 | STEM | BRASS | BRASS |
| 4 | SPRING SEAT | BRASS | BRASS |
| 5 | DISC | SS304 (+VITON/PTFE) | SS304 (+VITON/PTFE) |
| 6 | CAP | BRONZE | BRONZE |
| 7 | SPRING | STEEL | STEEL |
| 8 | NUT | BRASS | BRASS |
| 9 | ADJUSTING SCREW | BRASS | BRASS |
| 10 | HANDLE | - | STEEL |

| DIMENSIONS (MM) | | | | | | | | | |
|-----------------|--------------|-----------------------|--------------------------------------|------|------|-------|-------------|-------|--|
| P1 INLET | P2 OUTLET | D ORIFICE DIAMETER | A ORIFICE AREA (MM ²) | LIFT | L1 | L2 | WEIGHT (KG) | | |
| | | | | | | | HSR24 | HSR25 | |
| 1/2" | 3/4" | 15 | 176.6 | 1.04 | 35 | 53.5 | 0.66 | 0.755 | |
| 1/2" | 1" | 15 | 176.6 | 1.52 | 39 | 63 | 1.08 | 1.278 | |
| 3/4" | 1" | 19.5 | 298.5 | 1.52 | 39 | 62.5 | 1.06 | 1.25 | |
| 1" | 1" | 21 | 346.2 | 1.52 | 39 | 68 | 1.06 | 1.25 | |
| 1" | 1 1/4" | 26 | 530.7 | 2 | 32 | 74.5 | 1.96 | 2.03 | |
| 1 1/4" | 1 1/2" | 33 | 854.9 | 2.56 | 58.5 | 88.5 | 2.55 | 2.64 | |
| 1 1/2" | 2" | 39 | 1194.0 | 3.04 | 64.5 | 100.5 | 3.92 | 4 | |
| 2" | 2" | 39 | 1194.0 | 3.04 | 64.5 | 103.5 | 4.11 | 4.36 | |
| 2" | 2 1/2" | 50 | 1962.5 | 4 | 72 | 110 | 5.29 | 5.5 | |