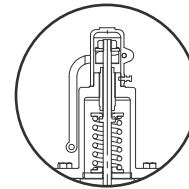
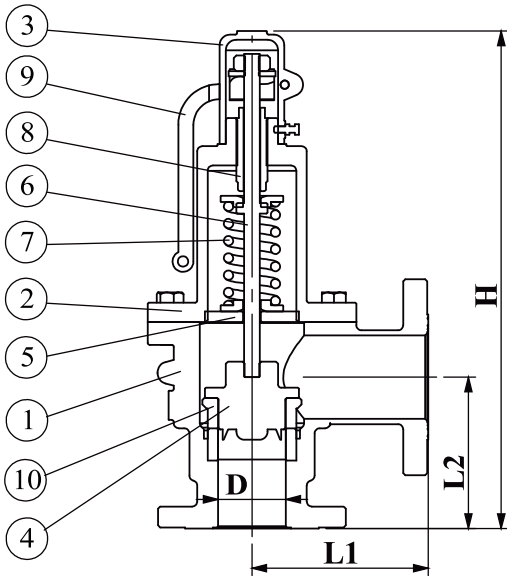


HSL

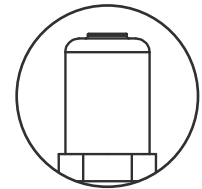
series

Válvula de Seguridad Elevacion Baja

- Tamano 1"(DN25) to 6"(DN150)
- Presion de Trabajo: 0.3 to 20 bar
- Temp. de Trabajo: -5°C to 300°C
- Conexion Standard: ANSI/JIS/PN.....etc.



HSL41



HSL42

ITEM	PARTS	MATERIAL	
		HSL41	HSL42
1	BODY	FC20 / SS304 / WCB	
2	BONNET	FC20 / SS304 / WCB	
3	CAP	FC20 / SS304 / WCB	
4	DISC	SS304	
5	STEM GUIDE	FC20 / SS304	
6	STEM	SUS410 / SS304 / SWPA	
7	SPRING	SWPA / SS304 / WCB	
8	ADJUSTING SCREW	BSBF	
9	SEAT	SS304	
10	HANDLE	BSBM / SUS304 / BC	-

DIMENSIONS (MM)							
P1 INLET	P2 OUTLET	D ORIFICE DIAMETER	A ORIFICE AREA (MM²)	LIFT	L1	L2	H
1"	1"	25	490.6	0.7	89	74	300
1 1/2"	1 1/2"	40	1256	1.0	106	106	365
2"	2"	50	1962.5	1.3	110	110	399
2 1/2"	2 1/2"	65	3316.6	1.7	117	116	460
3"	3"	75	4415.6	1.9	147	146	517
3 1/2"	3 1/2"	90	6358.5	2.3	188	170	678
4"	4"	100	7850	2.5	189	180	624
4 3/4"	4 3/4"	120	11304	3.0	200	190	710
5"	5"	125	12265	3.2	190	183	720
6"	6"	150	17662	3.8	210	210	800